

# Play

SITS



# Play

J. Archer

designed by: Ian Archer



## UPHOLSTERY



fabric



leather



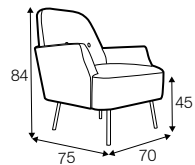
STD standard



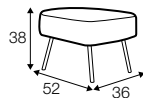
FC fixed

## COMFORTS

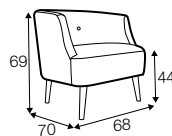
## COVERS



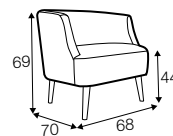
pop



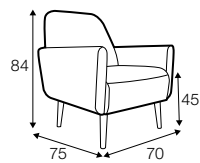
footstool 52x36



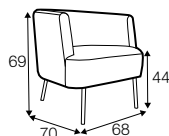
tune



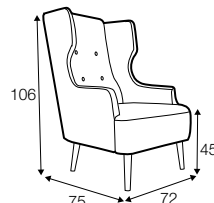
tune without buttons



solo

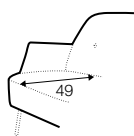


funk

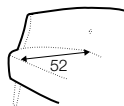


swing

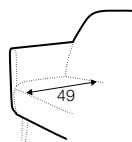
## extra dimensions



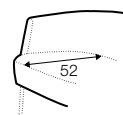
depth of seat  
pop



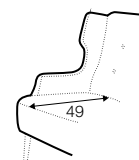
depth of seat  
tune



depth of seat  
solo

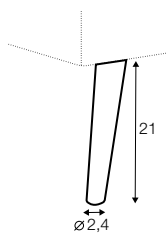


depth of seat  
funk

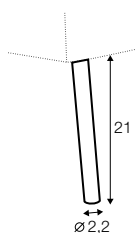


depth of seat  
swing

## legs



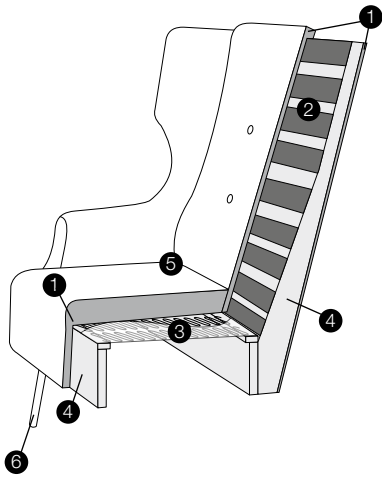
no. 180  
wood



no. 184  
metal painted  
black

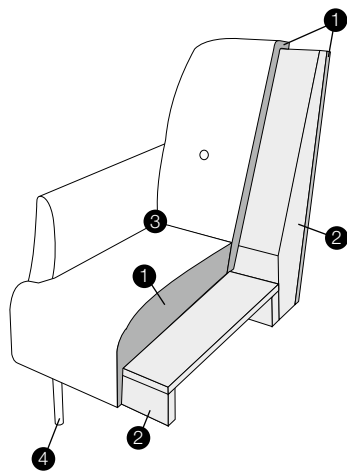
## profile

---



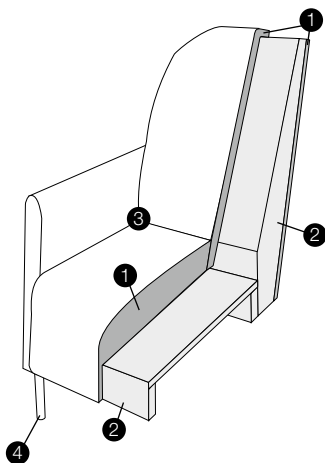
### SWING standard

1. polyurethane foam
2. upholstery belts
3. springs
4. solid wood and wood based elements
5. fabric or leather
6. solid wood or metal legs



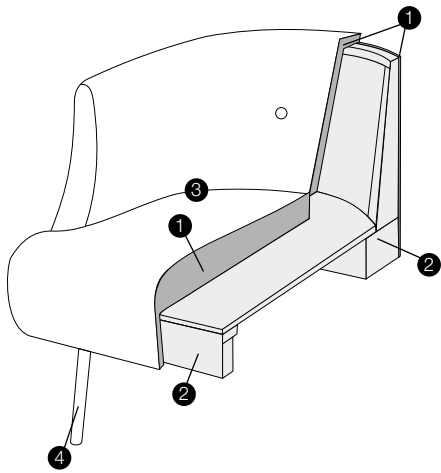
### POP standard

1. polyurethane foam
2. solid wood and wood based elements
3. fabric or leather
4. solid wood or metal legs



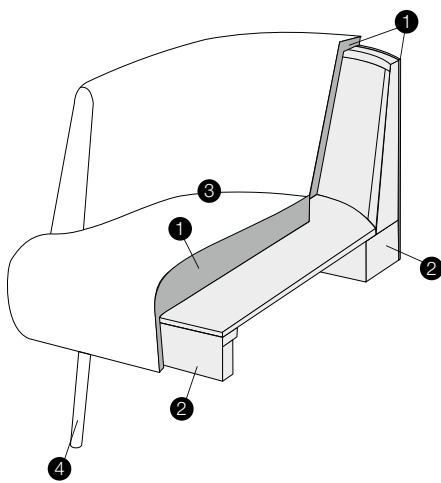
### SOLO standard

1. polyurethane foam
2. solid wood and wood based elements
3. fabric or leather
4. solid wood or metal legs



#### TUNE standard

1. polyurethane foam
2. solid wood and wood based elements
3. fabric or leather
4. solid wood or metal legs



#### FUNK standard

1. polyurethane foam
2. solid wood and wood based elements
3. fabric or leather
4. solid wood or metal legs