

Penny

SITS



Penny



designed by: Dan Ihreborn



UPHOLSTERY



fabric

COMFORTS



STD standard

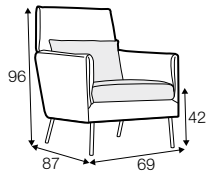


LUX lux

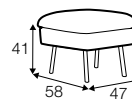
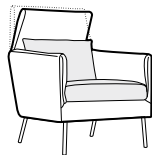
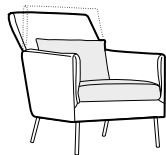
COVERS



FC fixed

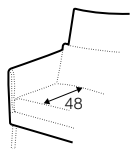


armchair

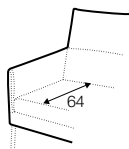


footstool 58x47

extra dimensions

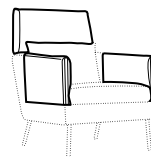


depth of seat



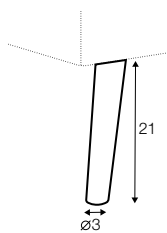
depth of seat
without cushion

accessories

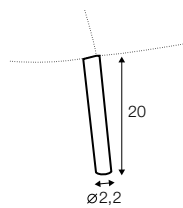


armrest cover and headrest cover

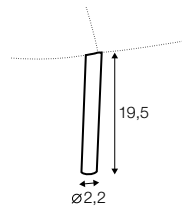
legs



no. 180
wood

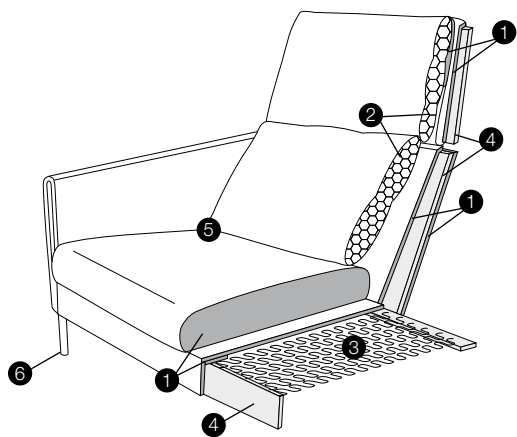


no. 160C
metal painted
black or brass gold
footstool
front: armchair



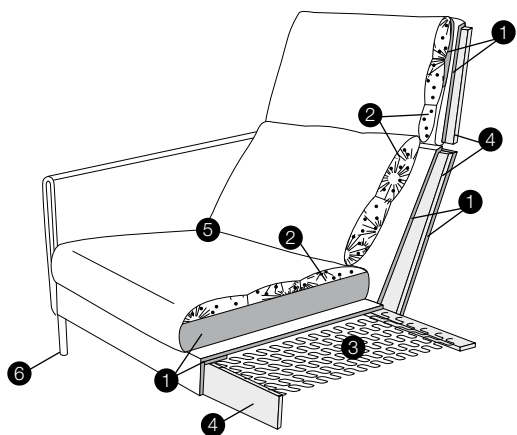
no. 160D
metal painted
black or brass gold
back: armchair

profile



standard

1. polyurethane foam / high resilient polyurethane foam
2. silicone balls
3. springs
4. solid wood and wood based elements
5. fabric
6. solid wood or metal legs



lux

1. polyurethane foam / high resilient polyurethane foam
2. cushion chamber with mix of feather and silicone balls
3. springs
4. solid wood and wood based elements
5. fabric
6. solid wood or metal legs